

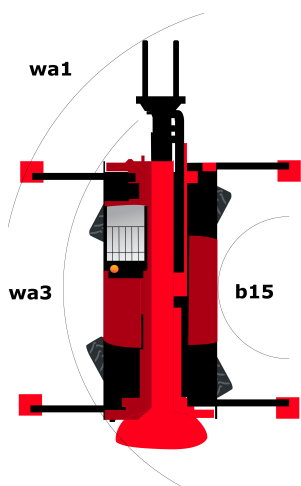
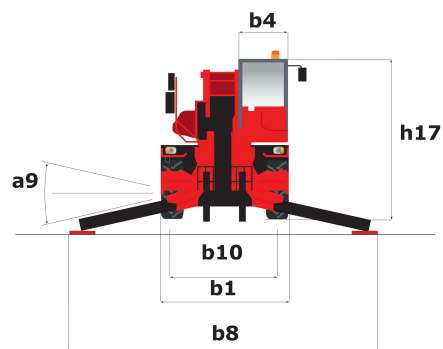
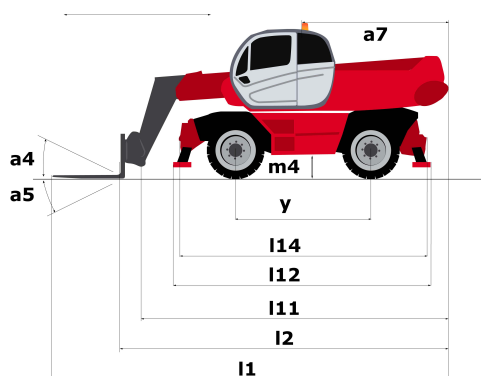
Technical sheet

MRT-X 2150 PRIVILEGE PLUS

Rotating Telehandlers

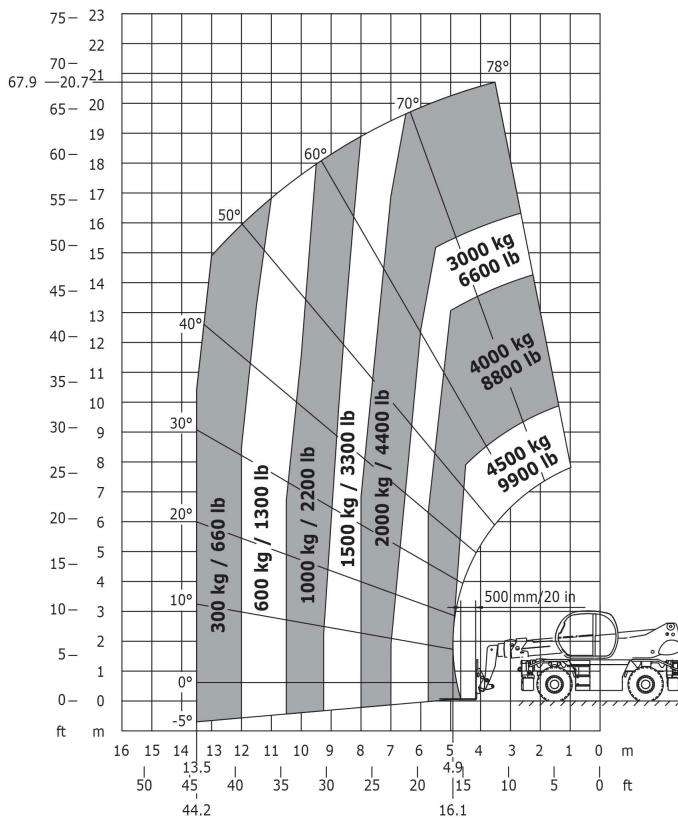


Capacities	Metric	Imperial
Max. capacity	4999 kg	10998 lbs
Max. lift height	20.90 m	68 ft 7 in
Max. reach	17.90 m	58 ft 9 in
Dimensions		
l2 - Length to fork heel	6.87 m	22 ft 6 in
l1 - Overall length	8.07 m	26 ft 6 in
b1 - Overall machine width	2.49 m	8 ft 2 in
b7 - Overall width with stabilisers extended	5.55 m	18 ft 3 in
h17 - Overall height	3.05 m	10 ft
Wa3 - - Frame outer turning radius	5.23 m	17 ft 2 in
m4 - Machine ground clearance	0.35 m	1 ft 2 in
a4 - Tilt-up angle	12 °	12 °
a5 - Tilt-down angle	105 °	105 °
Standard forks	1200 x 150 x 50	47 x 6 x2
Weight	17930 kg	39528 lbs
Stabilisers		
Type	Telescopic Duplex	Telescopic Duplex
Controls	Individual or Simultaneous	Individual or Simultaneous
Engine		
Brand	Mercedes	Mercedes
Environmental standards	OM904LA.E3A/2	OM904LA.E3A/2
Power	150 hp / 110 kW	150 hp / 110 kW
Max. torque	580 Nm at 1600 rpm	428 ft.lbs at 1600 rpm
Number of cylinders - Capacity	4 - 4250 cm ³	4 - 259.40 in ³
Injection	Direct	Direct
Cooling	by Water	by Water
Transmission		
Type	Hydrostatic	Hydrostatic
Drawbar pull	8700 daN	19558 lbf
Parking brake	Automatic negative parking brake	Automatic negative parking brake
Service brake	Hydraulic	Hydraulic
Hydraulics		
Type of pump	Gear pump	Gear pump
Hydraulic flow rate	115 l/min	30.38 gpm
Pressure	270 bar	3916 psi
Tank capacities		
Hydraulic oil	225 l	59.44 US gal.
Fuel	305 l	80.60 US gal.
Noise & vibration		
Noise at driving position (LpA)	79 dB(A)	79 dB(A)
Noise to environment (LwA)	107 dB(A)	107 dB(A)
Vibration on hands/arms	<2.50 m/s ²	<8.2 ft/s ²

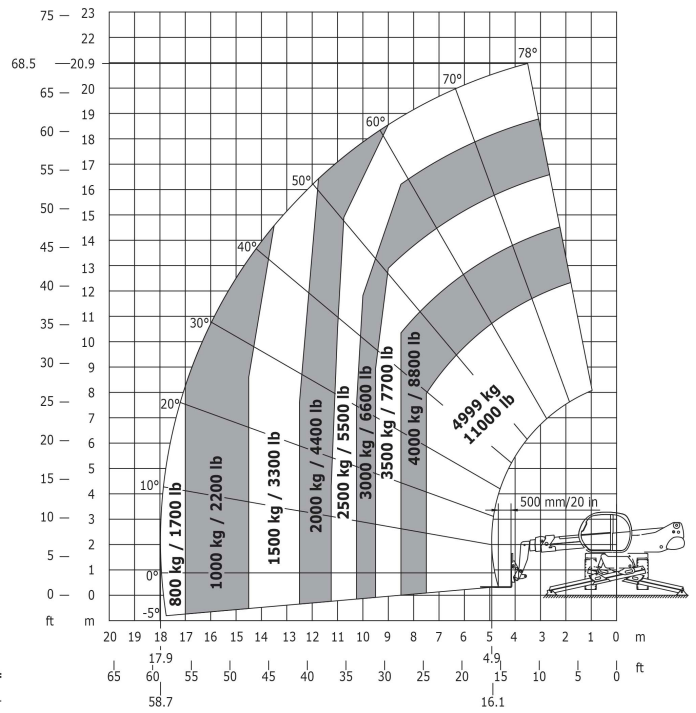


Other data	Metric	Imperial
l12 - Overall length at stabilisers	5.22 m	17 ft 2 in
b7 - Overall width with stabilisers extended	5.55 m	18 ft 3 in
b4 - Overall cab width	0.99 m	3 ft 4 in
l14 - Length of frame	5.35 m	17 ft 8 in
m5 - Ground clearance under front tyre on stabilisers	0.35 m	1 ft 2 in
y - Wheelbase	3.05 m	10 ft
a9 - Levelling corrector	8 °	8 °
a4 - Tilt-up angle	12 °	12 °
a5 - Tilt-down angle	105 °	105 °
a7 - Counterweight offset (turret at 90°)	2.68 m	8 ft 1 in
b10 - Front wheel gauge (middle of wheels)	2.05 m	6 ft 11 in
Wa1 - Outer turning radius (with forks)	5.23 m	17 ft 2 in
b15 - Inside turning radius	1.70 m	5 ft 8 in

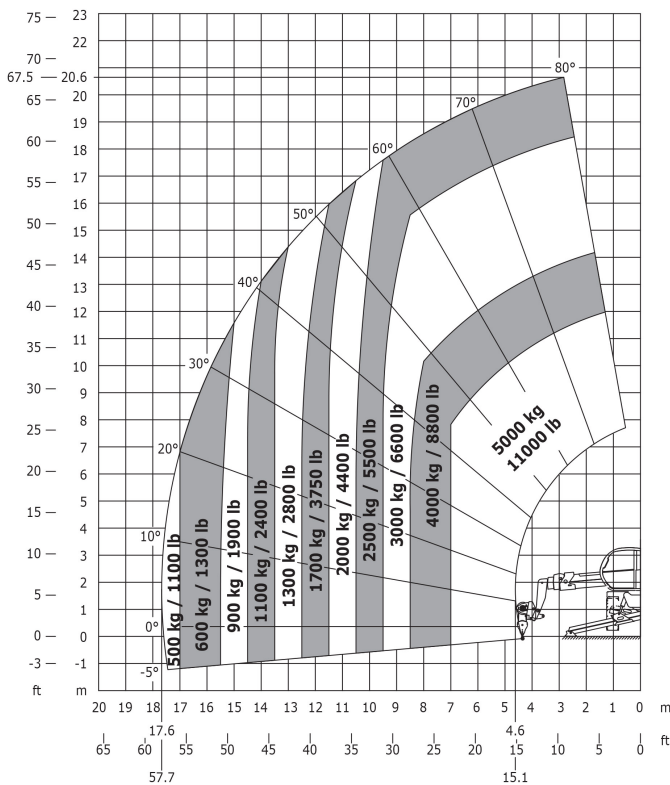
Machine on tyres with forks



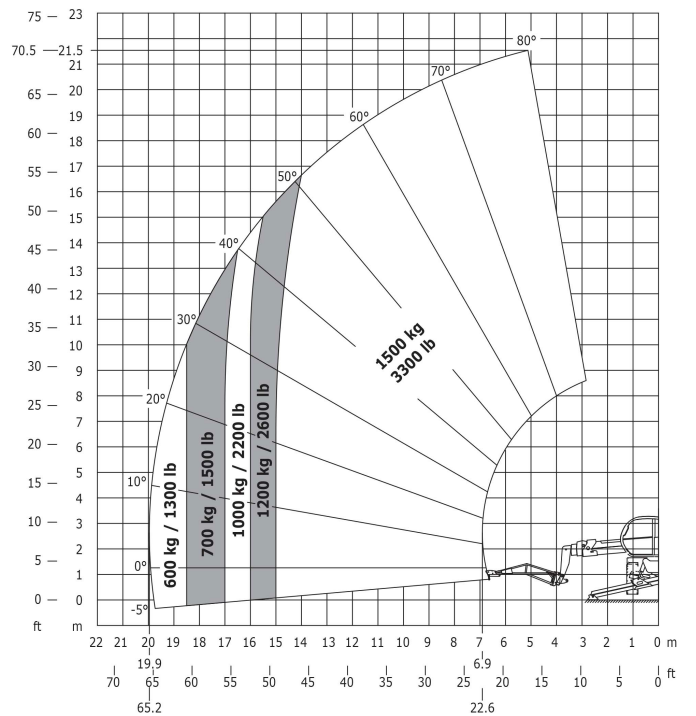
Rotation on lowered stabilisers with forks



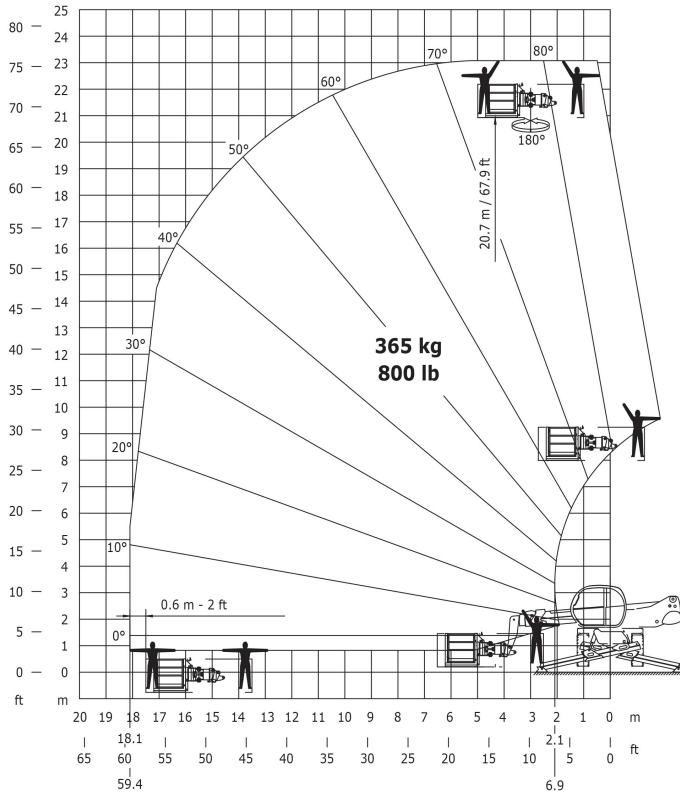
Rotation on lowered stabilisers with winch 5000 kg



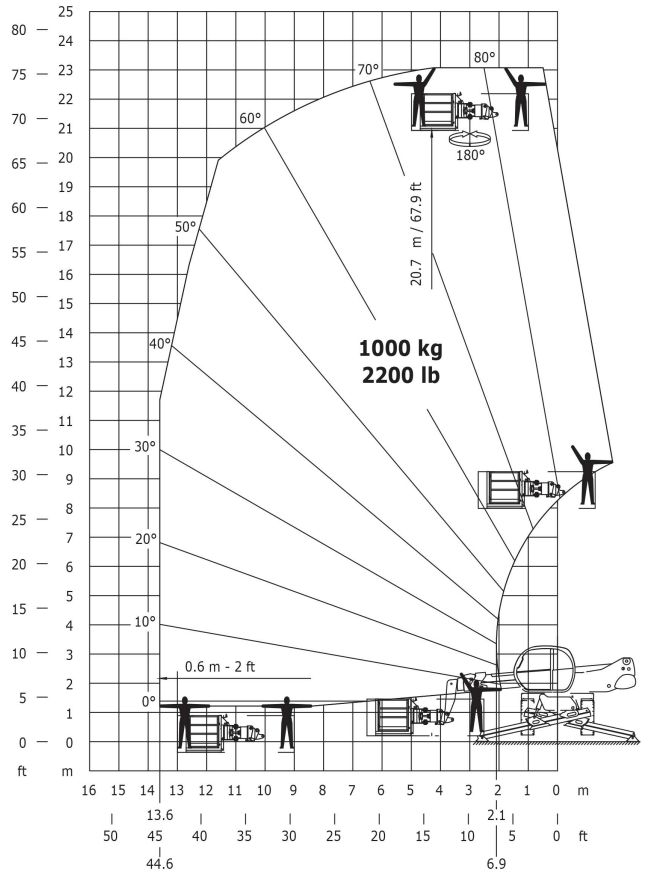
Rotation on lowered stabilisers with 1500 kg jib

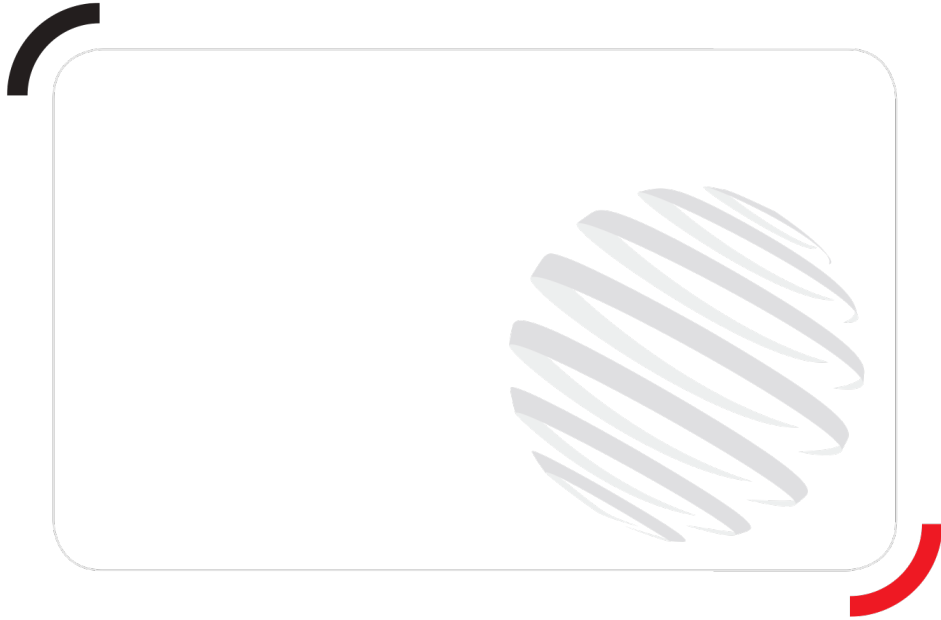


Rotation on lowered stabilisers with 365 kg platform



Rotation on lowered stabilisers with 1000 kg platform





Siège Social
430 rue de l'Aubinière - 44150 Ancenis Cedex - France
Tel: +33(0)2 40 09 10 11 - Fax: +33 (0)2 40 09 10 97
www.manitou.com



This brochure describes versions and configuration options for Manitou products which may be fitted with different equipment. The equipment described in this brochure may be standard, optional or not available depending on version. Manitou reserves the right to change the specifications shown and described at any time and without prior warning. The manufacturer is not liable for the specifications given. For more information, contact your Manitou dealer. Non-contractual document. Product descriptions may differ from actual products. List of specifications is not comprehensive. The logos and visual identity of the company are the property of Manitou and may not be used without authorisation. All rights reserved. The photos and diagrams contained in this brochure are provided for information only.

MANITOU BF SA - Limited company with board of directors - Share capital: 39,547,824 euros - 857 802 508 RCS Nantes